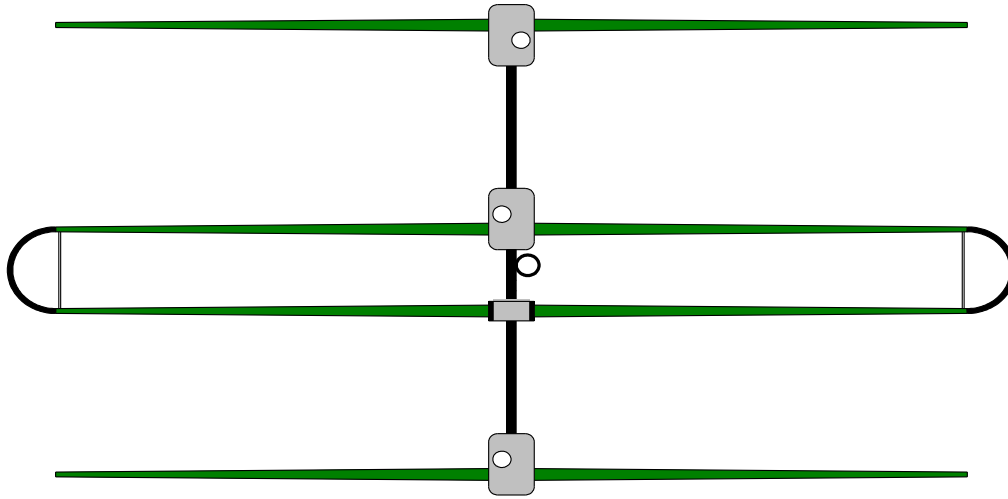


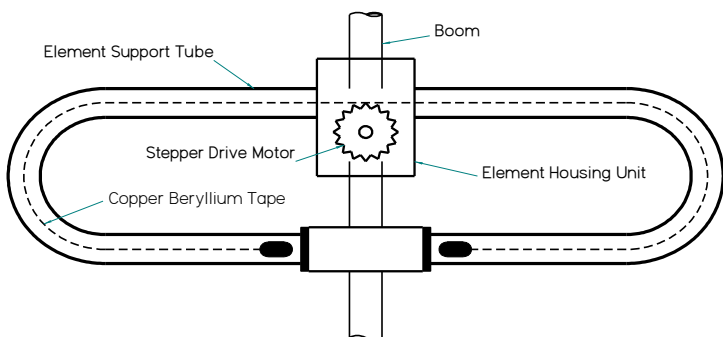
# SteppIR™ Antenna Systems

Yagi • Dipole • Vertical (Patent Pending)

## 40m - 30m Dipole Option



- Add 40m – 30m dipole capabilities to your yagi antenna – does not affect yagi performance at all still allowing normal operation on 20m – 6m as before!
- Highly efficient linear end loading allows nearly full size performance with only a 39 foot tip – to – tip element
- Only one feed line required for 40m – 6m operation
- Solves interaction issues that slopers and other 40m/30m antennas cause
- Only adds 2 square feet of wind load and 7 lbs of weight



To retrofit a current SteppIR

**\$490.00**

To add the 40m – 20m dipole to a SteppIR yagi AT THE TIME OF PURCHASE

**\$345.00**

### SteppIR Antennas

23831 S.E. Tiger MT. RD. - Issaquah, WA 98027  
Tel: 425-391-1999 Fax: 425-391-8377 Toll Free: 866.783.7747

[www.steppir.com](http://www.steppir.com)

5/12/06