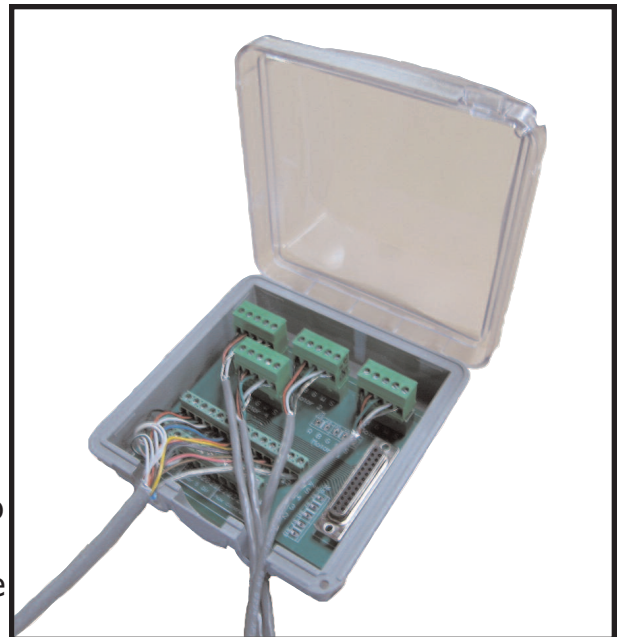


Connector Box Option

Item	QTY	Part #	Description
	1	10-1615-01	Connector box assembly with lid and connector board
	4	60-0022	4 X 4-4 SS nylock nut
	1	10-1053-02	Connector box aluminum mounting plate
	1	10-1260-3	Connector board with connector and 4-40 screws with standoffs
	1	10-1029-01	Connector protector

Truss Option Assembly Procedure

1. Inventory all the parts for your new Connector Box Option kit.
2. Retract all elements to the home position.
3. Turn the controller power off and unplug power cable and control cable.
4. Your new Connector Box Option was designed to be attached to your antenna without having to take your antenna off your tower.
5. You will need to remove your current terminal housing and terminal strip. Make sure that you label what wires go to what element housing (i.e. DVR, REF, DIR...) This is critical before rewiring your antenna so that you don't have to take your antenna off the tower and trace what wire is for what Element Housing Unit. (EHU)
6. Unscrew terminal housing cap, so that you can expose the terminal strip that is inside. Pull out the terminal strip with wires.
7. At this point you can loosen the hose clamp and remove both the terminal housing and the hose clamp. These will not be needed with the new Connector Box.
8. This new Connector Box Option is designed to be mounted on the mast plate of your antenna so you should not need to lengthen your EHU wires, if your old terminal housing was mounted in the same general area. If it was mounted in another area and you trimmed your wires to fit you will need to either splice your wires to make them longer so they can reach the mast plate or purchase mounting saddles that allows you to mount the connector box in a verity of locations depending on antenna.
9. Mount the Connector Box Mounting Plate to the Connector Box then mount the assembly to the mast plate..



10. Use the existing hardware from your mast plate to attach the Connector Box Mounting Plate. See corresponding figure that applies to your antenna.

CAUTION

WIRING YOUR ANTENNA IS VERY CRITICAL FOR CORRECT OPERATION OF YOUR ANTENNA

CAUTION

11. Apply a small amount of connector protector to each wire before securing to your new Connector Box.

12. Unscrew the old terminals for each wire of your antenna. To avoid confusion during wiring it may be simplest to go one EHU at a time. Simply unplug the correct connector from the connector box board and wire it to the corresponding EHU wires. (Example DVR wires would go to DVR connector plug) The connectors may be snug but just simply pull straight up. They can only be plugged in one way so be sure to follow the wiring diagram for correct wiring. Repeat this process for the rest of your EHU's and control cable.

13. Choose the wiring diagram that applies to your specific antenna. They will vary depending on what antenna and what options you have for your antenna .

REFER TO THE CORRECT WIRING DIAGRAM FOR YOUR SPECIFIC ANTENNA

14. Locate the correct figure that applies to your antenna for mounting your new Connector Box.

15. To assemble your Connector Box make sure that the board is seated completely inside the connector box housing. There should be 4 X 4-40 screws sticking out of the bottom of the connector housing. It is important that the board be mounted in the correct direction inside the housing. See the corresponding figure that applies to your antenna for correct board assembly.

16. Place the connector box housing onto the mounting plate so that the tear away holes are facing down. Tighten the 4 X 4-40 nuts to the screws so that the Connector Box is mounted in the correct orientation.

17. Plug the correct connector into their respective sockets and tear away one of the three holes in the connector box. Run all of your wires through the one torn out hole in the connector box. Do not seal up the Connector box, it is designed to let air pass through and evaporate any condensation that forms in the box.

18. Perform a test motor function on your antenna to ensure that wiring has been performed correctly. Refer to your antenna manual and operations manual for test motor function procedures.

19. Last step is to secure the lid of the connector box onto the the housing of your new connector box. If everything has been installed correctly then the lid should close shut in a downward motion. Just simply click it shut and your assembly is complete.

Figure 1

2 Element, 3 Element Mounting Configuration

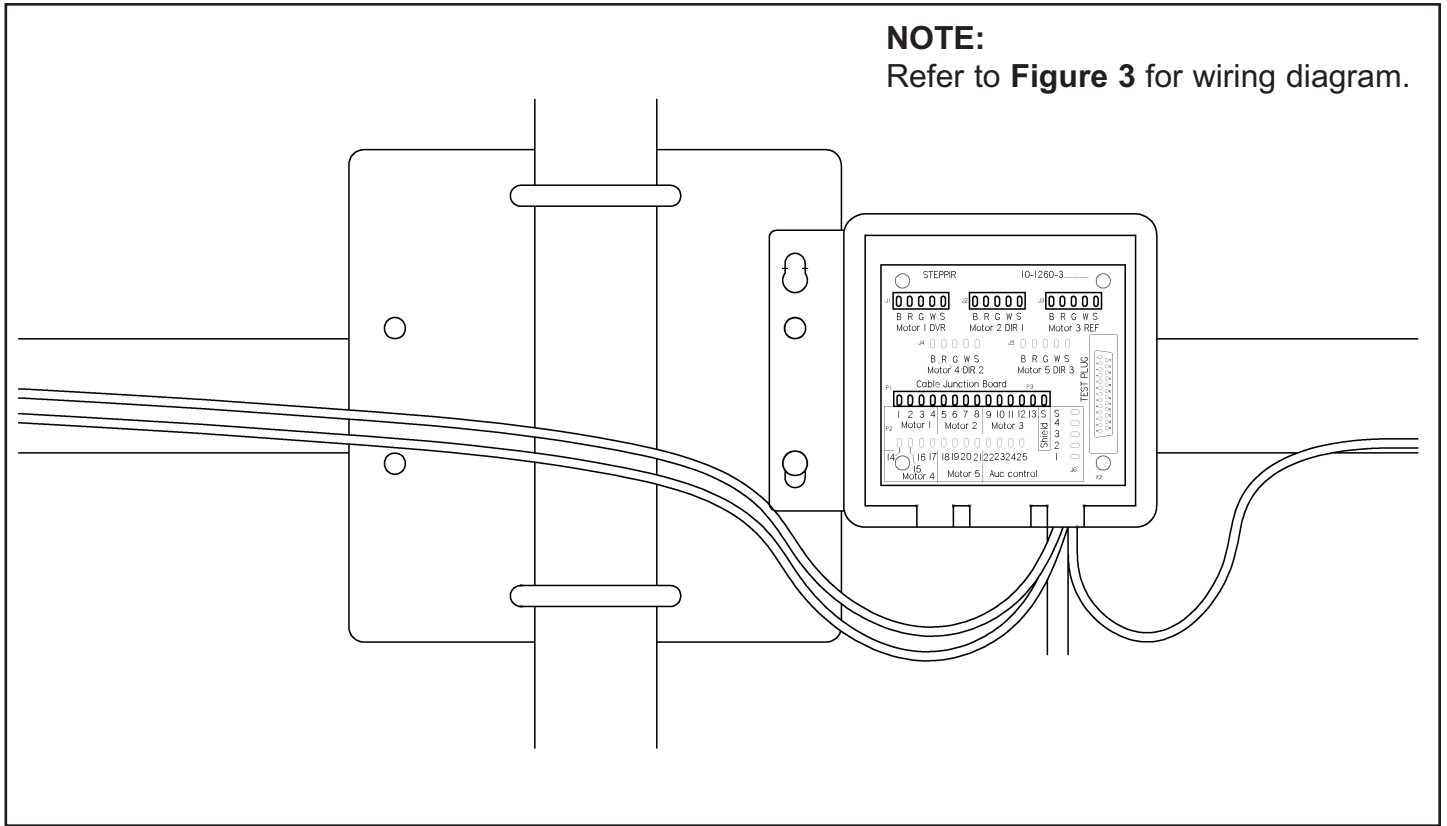
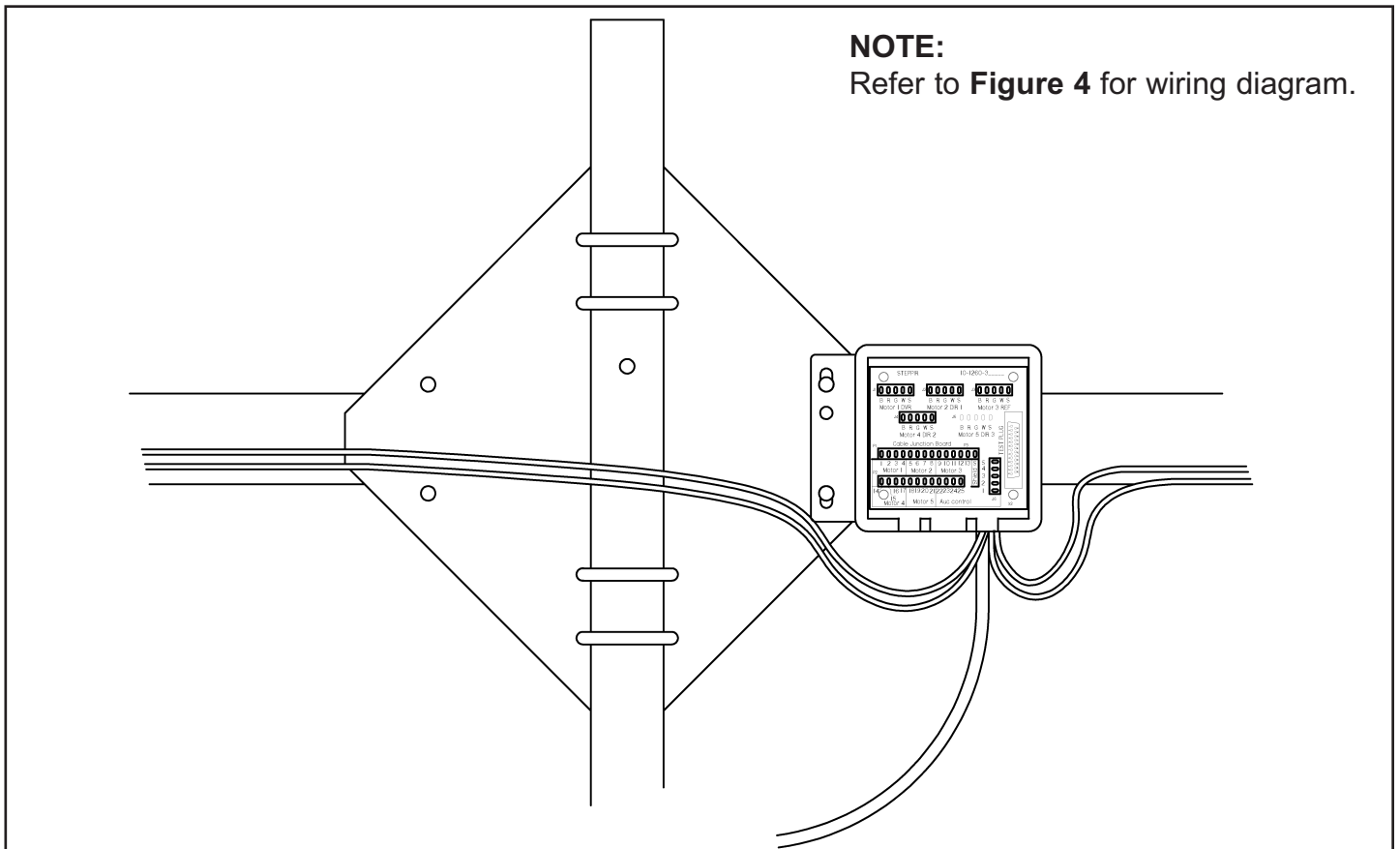


Figure 2

MonstIR and 4 Element Mounting Configuration



2 Element and 3 Element Wiring Diagram

NOTE:
For the 2E only the DVN and DIR 1 plugs will be used on the connector box.

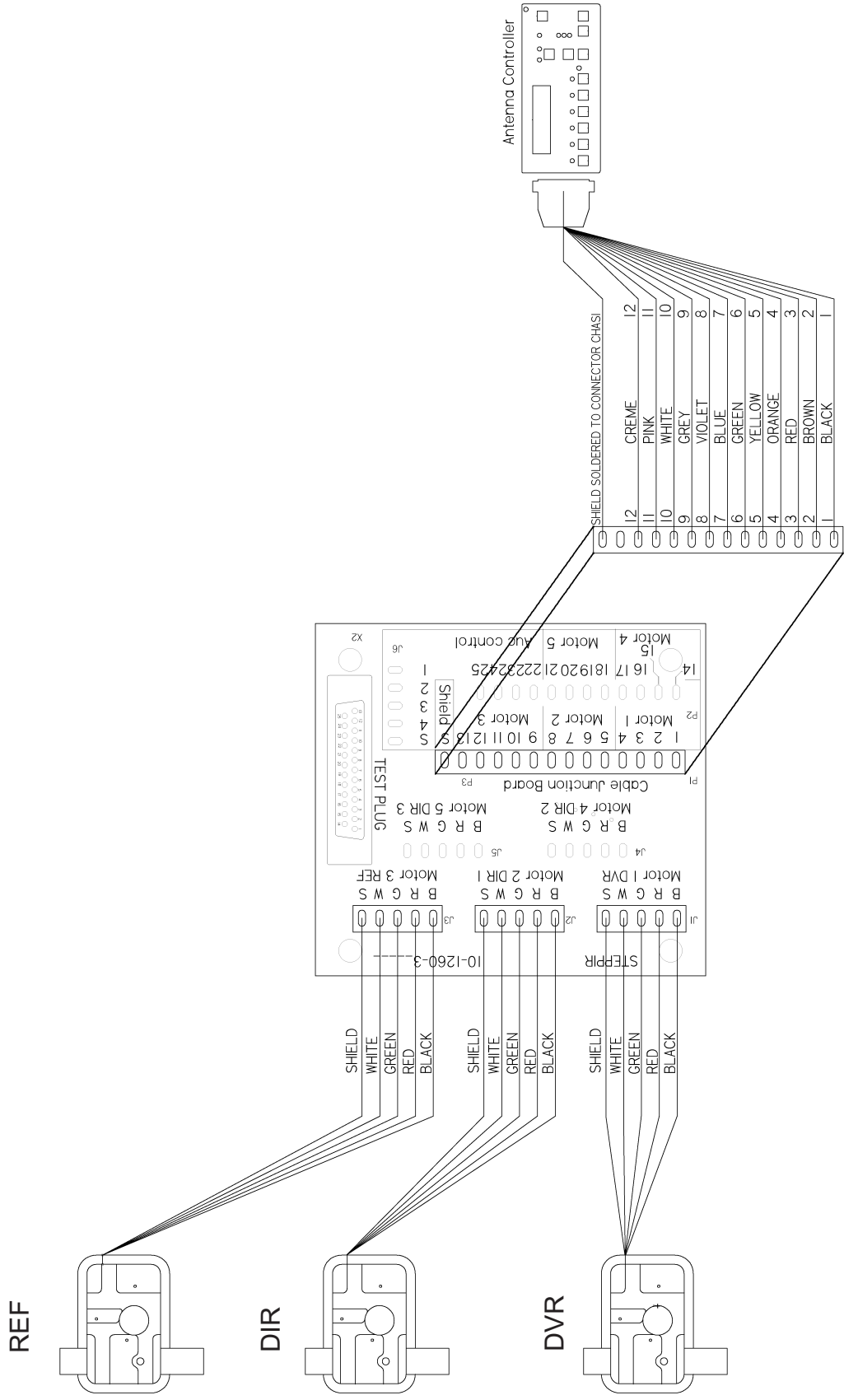


Figure 3

Figure 4

4 Element Wiring Diagram

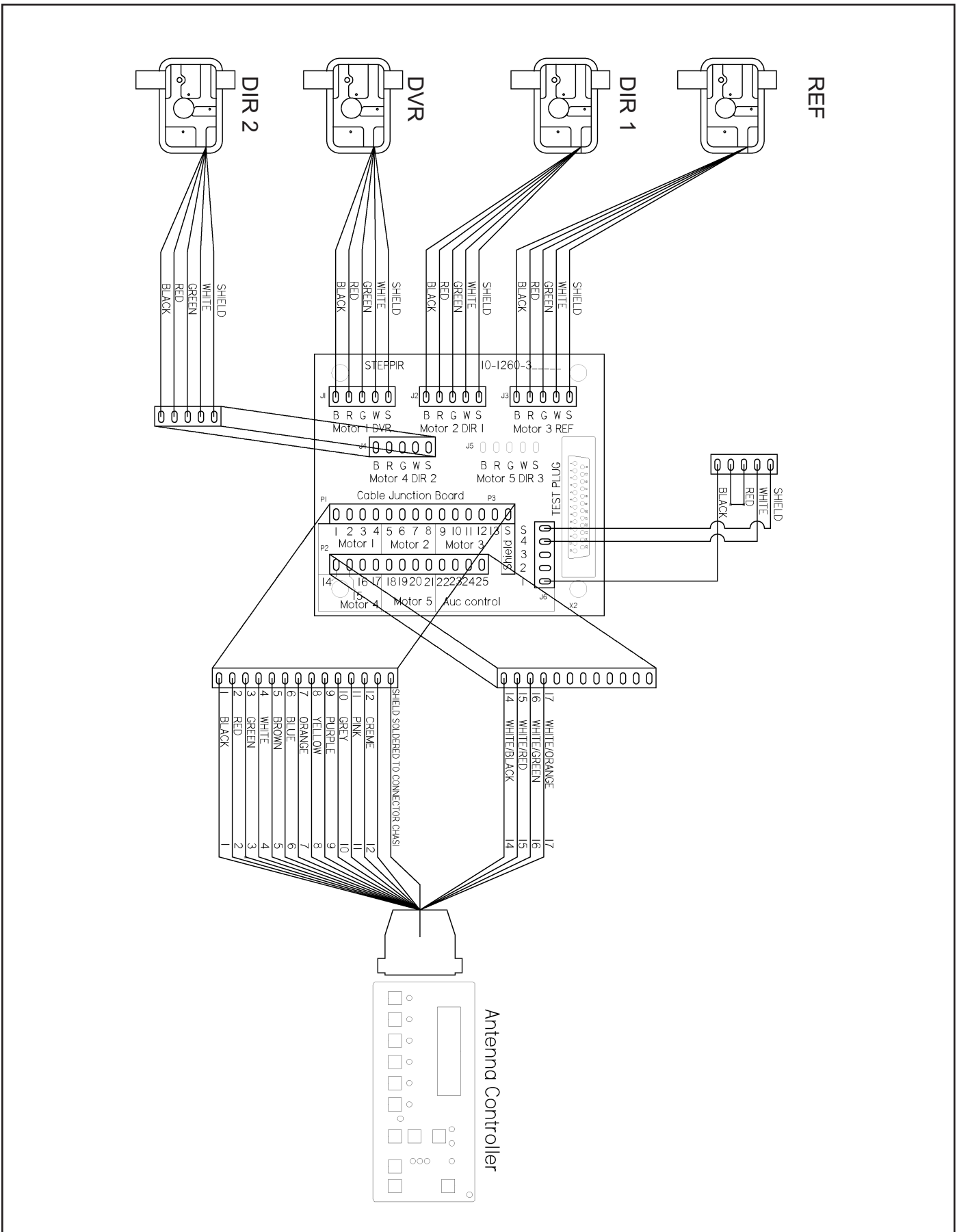


Figure 5

DB 18, DB 18E and DB 11 Mounting Configuration

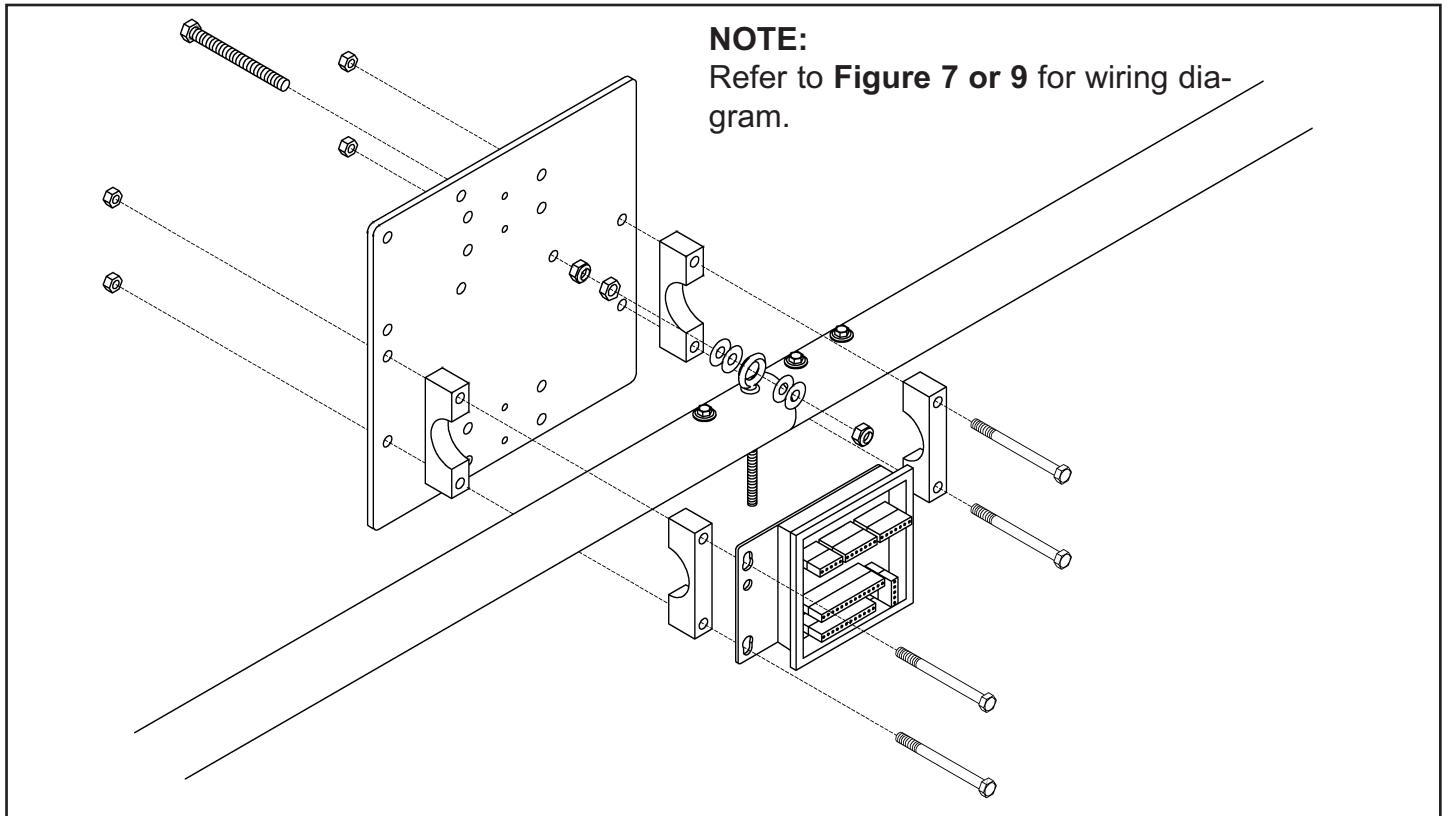
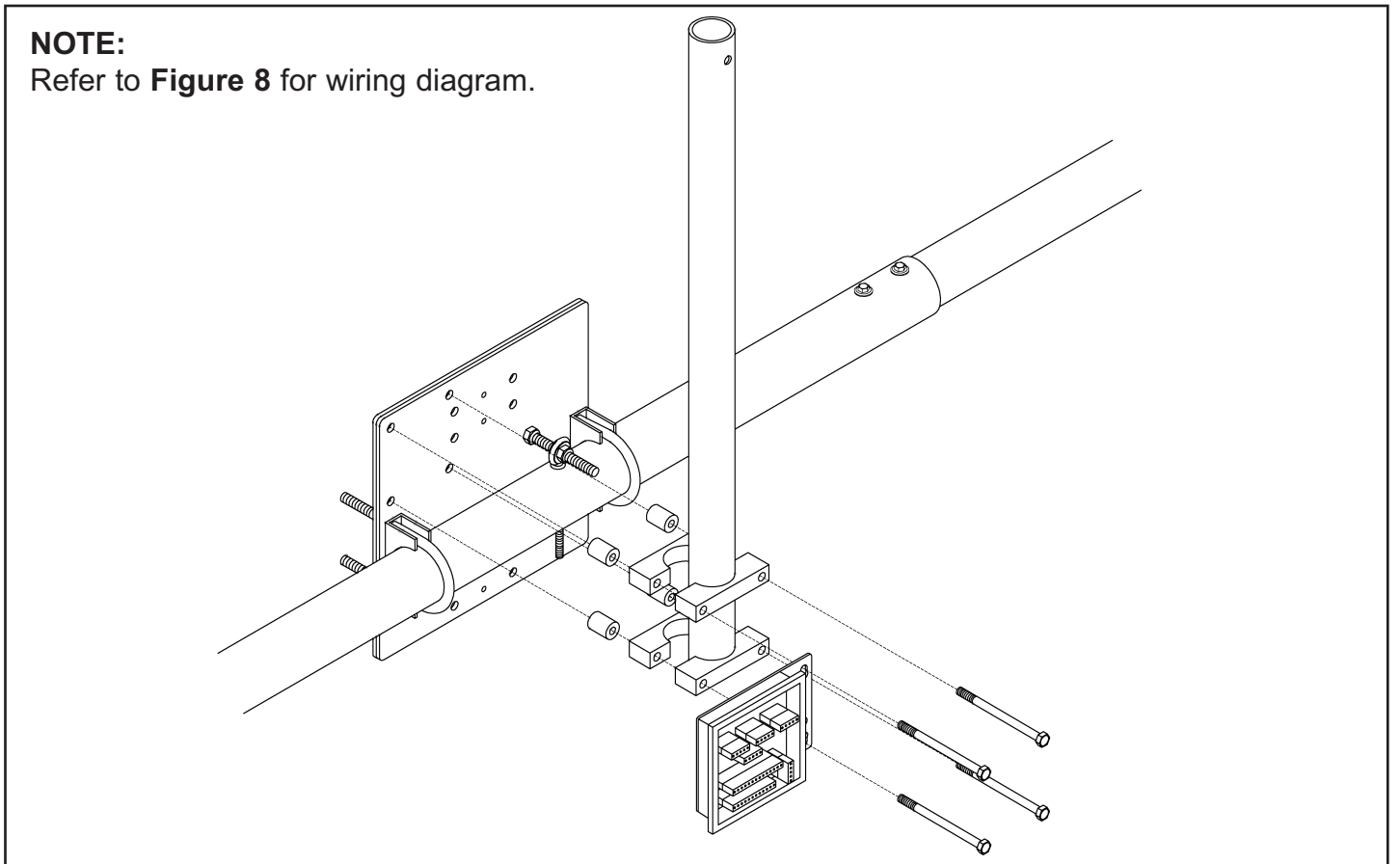


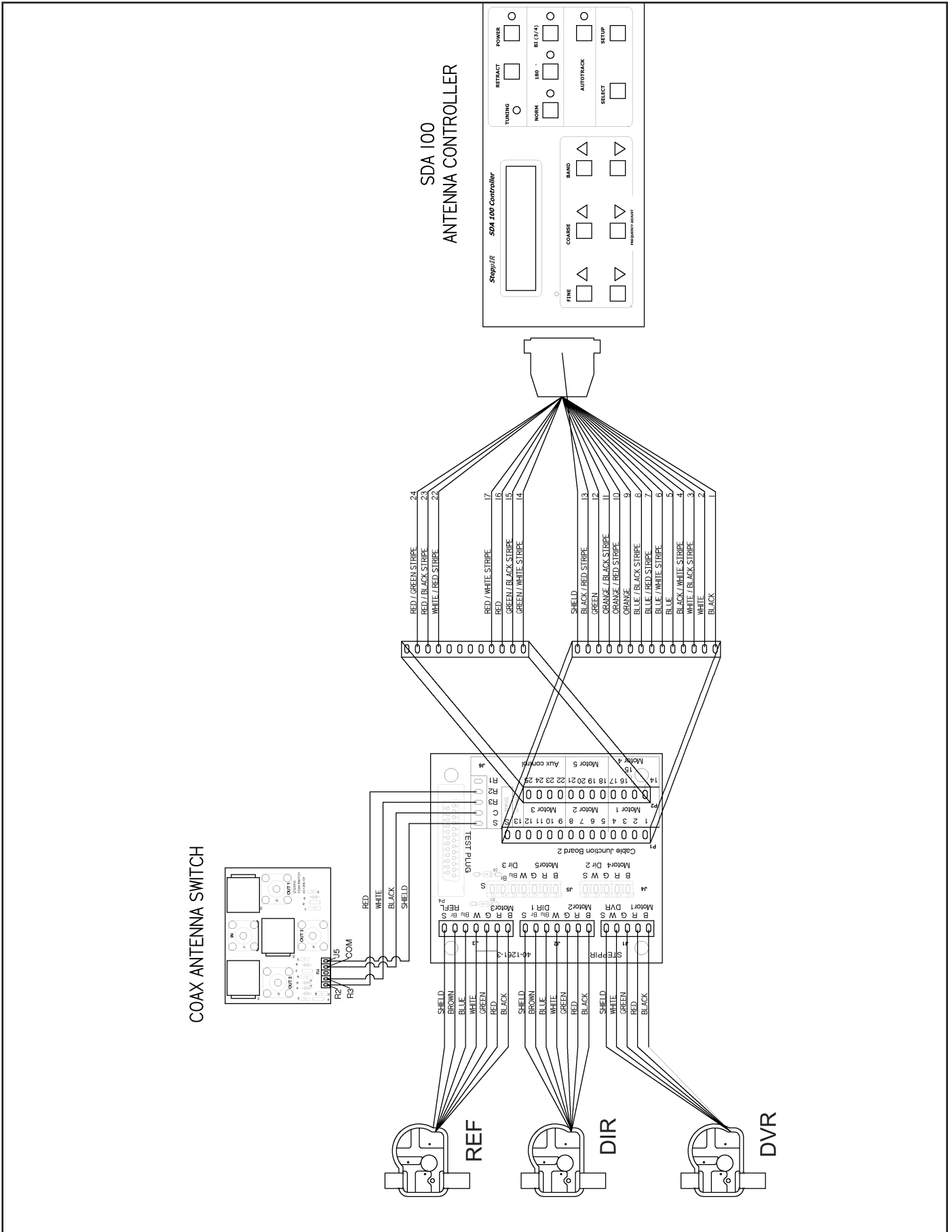
Figure 6

DB 36 Mounting Configuration



DB 18 and DB 18E or DB 11 using 20 Conductor cable Wiring Diagram

Figure 7



DB 36 Wiring Diagram

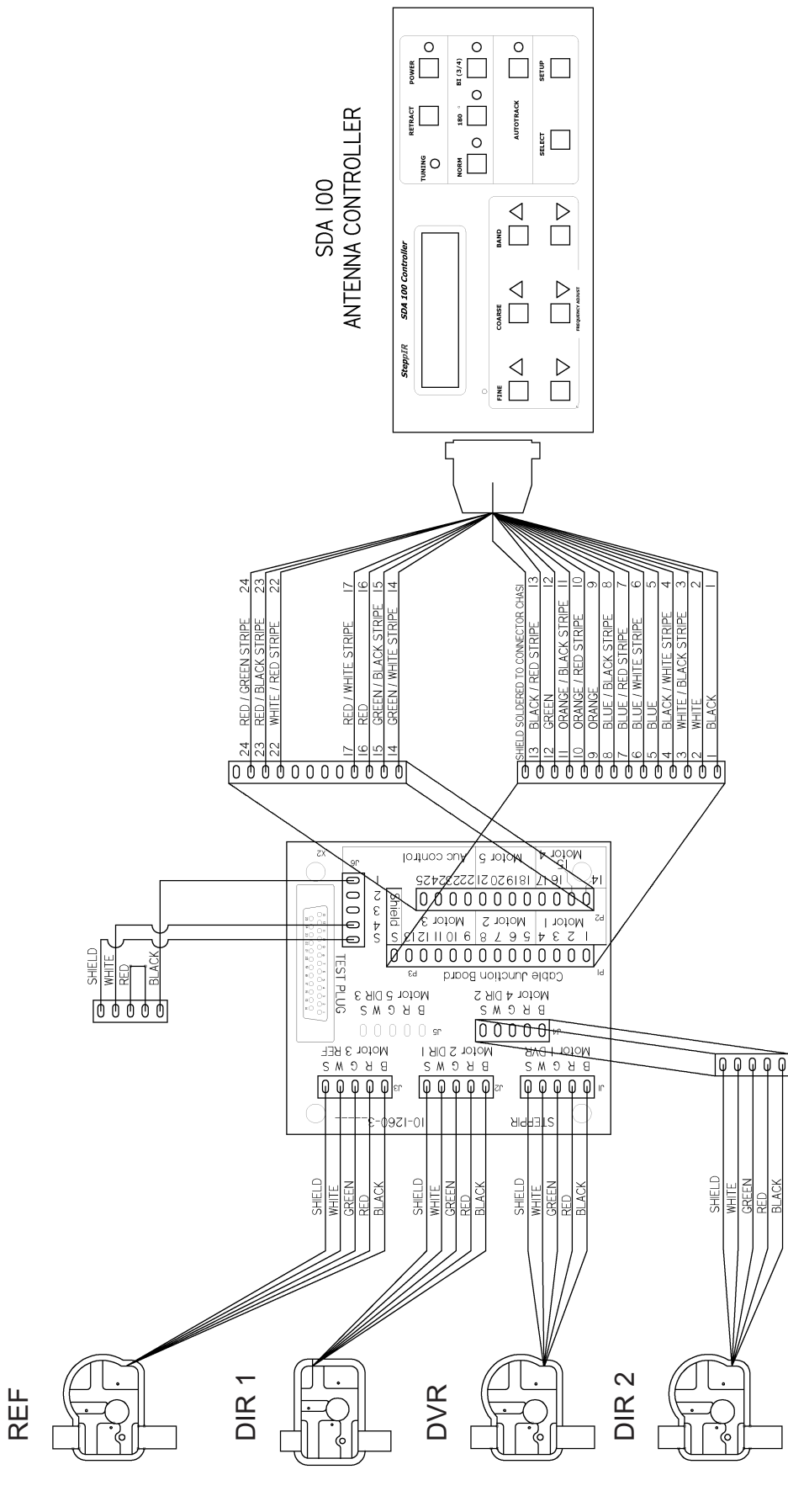


Figure 8

DB 11 Wiring using 16 conductor cable

COAX ANTENNA SWITCH

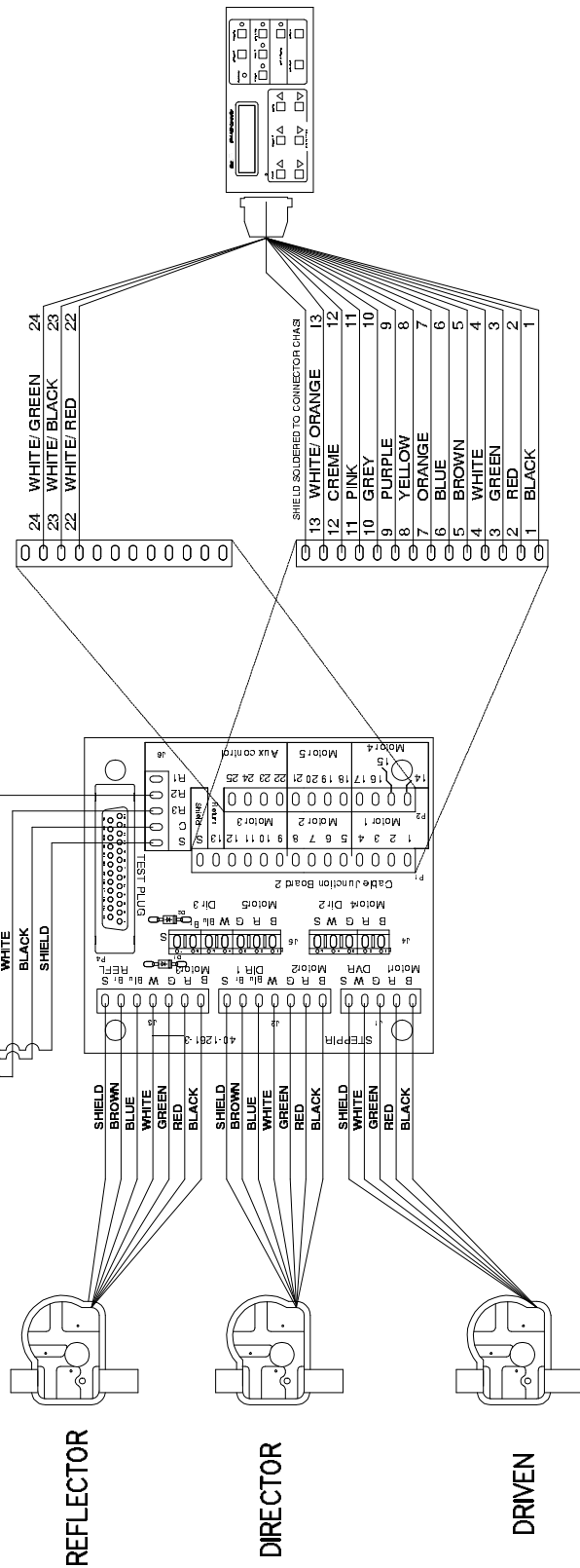


Figure 9