

DIVERTER CONE ASSEMBLY

Locate the 4 pieces of CPVC, Diverter Cone and Gluing kit

QTY 2: 40" CPVC

QTY 2: 49" CPVC with coupler glued on

QTY 2: Diverter Cone

Glue Kit

NOTE:

Telescoping poles must be extended and completed before Diverter Cone and CPVC can be installed. See 30m/40m Manual page 16.

When gluing, only apply glue to the outside of the CPVC tubing. This will prevent the glue from flowing into the CPVC tube and creating a blockage that will cause the antenna to fail.

- Follow **Figure 1** for gluing procedure of the Diverter Cone and CPVC. Let assembly dry for 10 minutes.
- Slide the Diverter Cone assembly into the fiberglass telescoping pole so that the 49" CPVC tubing slides into the fiberglass telescoping pole first. While sliding the assembly in, shaking or wiggling will help to allow for correct installation.
- Seat the Diverter Cone completely into the telescoping pole so that the 1/4" lip is the only part of the Diverter Cone visible in the telescoping pole. **Figure 2**
- Repeat the above steps for completing the other side of the element.

Assembly is now ready for securing to the element housing, please refer to the 30m/40m Manual for the completion of the antenna.

Figure 1

Diverter Cone and CPVC

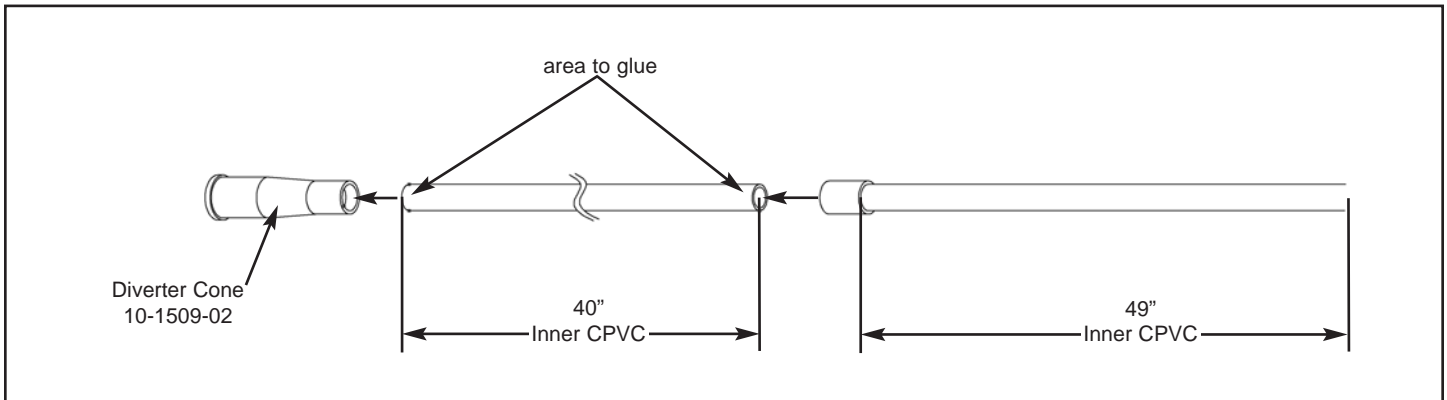


Figure 2

EST Assembly

