



TM

Antenna Specification Sheet

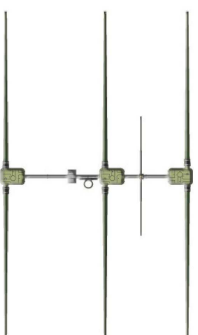
| Item | Dipole 20m-6m | Dipole 40m-6m | 2 element Yagi | 3 element Yagi | 4 element Yagi | DB11 Yagi | DB18 Yagi | DB18E Yagi | DB36 Yagi | DB42 Yagi MonstIR PRO | 40m - 30m Dipole Option | BigIR III Vertical | Small IR Vertical |
|-------------------------------|------------------------|------------------------|-------------------------------------|-------------------------------------|-------------------------------------|---------------------------|-----------------------------|-----------------------------|-------------------------------------|-------------------------------------|----------------------------------|--|--|
| Weight | 15 lb 6.80 kg | 25 lb 11.4 kg | 30 lb 13.6 kg | 51 lb 23.1 kg | 99 lb 45.0 kg | 63 lb 28.57 kg | 96 lb 43.5 kg | 110 lb 50 kg | 160 lb 72.8 kg | 238 lb 108 kg | 15 lb 6.80kg | 15 lb 6.8 kg | 12 lb 5.4 kg |
| Max. Wind Surface Area | 1.9 sq ft 0.17 sq m | 3.8 sq ft 0.34 sq m | 4.0 sq ft 0.37 sq m | 6.1 sq ft 0.57 sq m | 9.7 sq ft 0.90 sq m | 5.9 sq ft 0.54 sq m | 10.1 sq ft 0.93 sq m | 12.1 sq f 1.12 sq m | 17.5 sq ft 1.63 sq m | 19.9 sq ft 1.85 sq m | 2.0 sq ft 0.19 sq m | 1.9 sq ft 0.17 sq m | 1.0 sq ft 0.9 sq m |
| Wind Rating | 100 MPH 160 KPH | 100 MPH 160 KPH | 100 MPH 160 KPH | 100 MPH 160 KPH | 100 MPH 160 KPH | 100 MPH 160 KPH | 100 MPH 160 KPH | 100 MPH 160 KPH | 100 MPH 160 KPH | 100 MPH 160 KPH | 100 MPH 160 KPH | 50-MPH *100MPH w/2 guys | 100 MPH 160 KPH |
| Longest Element | 36 ft 10.97 m | 36 ft 10.97 m | 36 ft 10.97 m | 36 ft 10.97 m | 36 ft 10.97 m | 19 ft 5.79 m | 39 ft 11.9m | 39 ft 11.9 m | 49 ft 14.9 m | 49 ft 14.9 m | 39 ft 11.9 m | 33 ft 10.05 m | 18 ft 5.49 m |
| Power Rating | 3000 Watts | 3000 Watts | 3000 Watts | 3000 Watts | 3000 Watts | 3000 Watts | 3000 Watts | 3000 Watts | 3000 Watts *1500 w w/80m opt. | 3000 Watts *1500 w w/80m opt. | 3000 Watts | 3000 Watts | 3000 Watts |
| Boom Length | — | — | 57 in 1.44 m | 16 ft 4.87 m | 32 ft 9.75 m | 11 ft 3.35 m | 19 ft 5.79m | 19 ft 5.79 m | 36 ft | 42 ft 8 in 13.0 m | — | — | — |
| Boom Diameter | — | — | 1.75 in 4.45 cm | 1.75 in 4.45 cm | 1.75—2.50 in 4.45—6.35cm | 1.75 in 4.45 cm | 1.75—2.0 in 4.45—5.08cm | 1.75—2.0 in 4.45—5.08cm | 1.75—2.5 in 4.45—6.35cm | 1.75 - 3 in 4.45—7.62cm | — | — | — |
| Mast Diameter | 2.0 in 4.45 cm | 2.0 in 4.45 cm | 2.0 in 5.08 cm | 2.0 in 5.08 cm | 2.0 in 5.08 cm | 1.75 - 3 in 4.4-7.6 cm | 1.75 - 3 in 4.4-7.6 cm | 1.75 - 3 in 4.4-7.6 cm | 1.75 - 3 in 4.4-7.6 cm | 1.75 - 3 in 4.4-7.6 cm | — | 1.5 in 3.81 cm | 1.5 in / 3.81 cm |
| Frequency Coverage | 13.8—54.0 MHz | 6.8—54.0 MHz | 13.8—54.0 MHz *40/30 opt. avail. | 13.8—54.0 MHz *40/30 opt. avail. | 13.8—54.0 MHz *40/30 opt. avail. | 13.9—54.0 MHz | 6.8—54.0 MHz (2E on 30m) | 6.8—54.0 MHz (3E on 30m) | 6.8—54.0 MHz *80m opt. available | 6.8—54.0 MHz *80m opt. available | 6.8—13.8 MHz | 6.8—54.0 MHz *80m coil opt. avail. (1500w) | 13.8—54.0 MHz *80/40/30 & 40/30 coils avail |
| Turning Radius | 18 ft 5.48 m | 19.5 ft 5.95 m | 18.15 ft 5.53 m | 19.7 ft 6.0 m | 24.1 ft 7.35 m | 10.5 ft 3.20m | 21.58 ft 6.57 m | 21.58 ft 6.57 m | 26 ft 8.0 m | 29 ft 8.8 m | NA Option for 2, 3, & 4E Yagi | — | — |
| Cable Requirements (shielded) | 4 Wire 22 AWG | 4 Wire 22 AWG | 12 Wire 22 AWG | 12 Wire 22 AWG | 16 Wire 22 AWG | 16 Wire 22 AWG | 16 Wire 22 AWG | 16 Wire 22 AWG | *16 Wire 22 AWG | 24 Wire 22 AWG | — | 4 Wire 22 AWG | 4 Wire 22 AWG |
| Balun Included? | No (optional) | No (optional) | Yes | Yes | Yes | Yes | Yes | Yes | Yes | Yes | Yes | No (optional) | No (optional) |



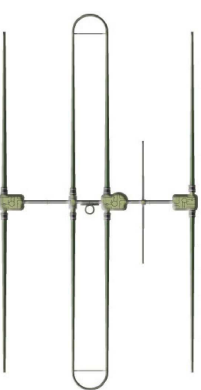
2E 20m-6m



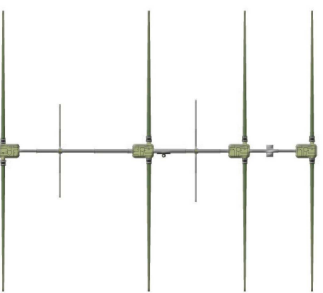
2E 40m-6m



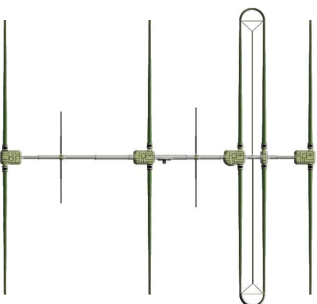
3E 20m-6m



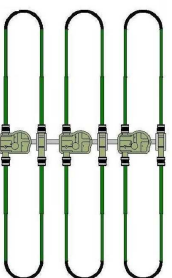
3E 40m-6m



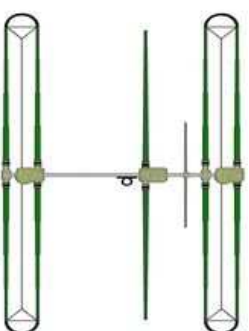
4E 20m-6m



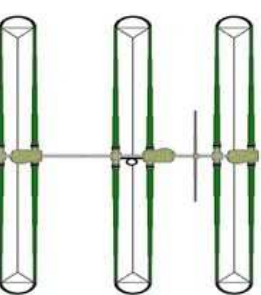
4E 40m-6m



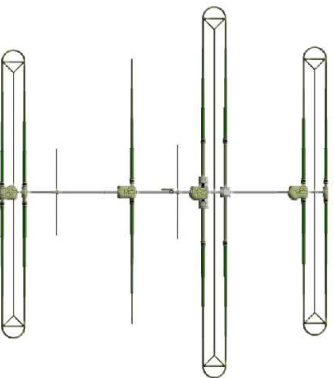
DB11 40m-6m



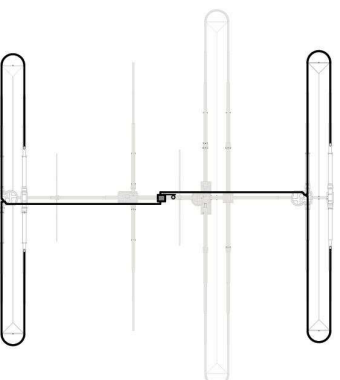
DB18 40m-6m



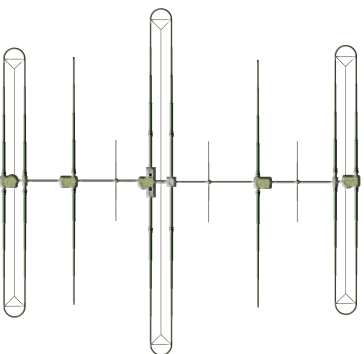
DB18E 40m-6m



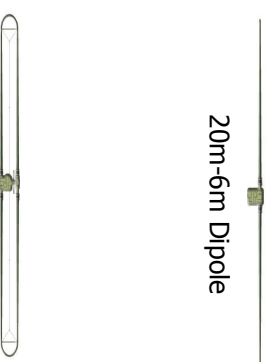
DB36 40m-6m



80m option (DB36 and DB42)



DB42 40m-6m



20m-6m Dipole



40m-6m Dipole



BigIR



SmallIR